

ECP-2701 ▶ Premium Single Port Ethernet over Coax Transceiver



▲ Overview

ECP-2701 is an Ultra High-Speed, long distance Ethernet & PoE extender that makes possible to transmit IP data up to 2.4Km and PoE up to 1.2Km through various analog cables in different situations.

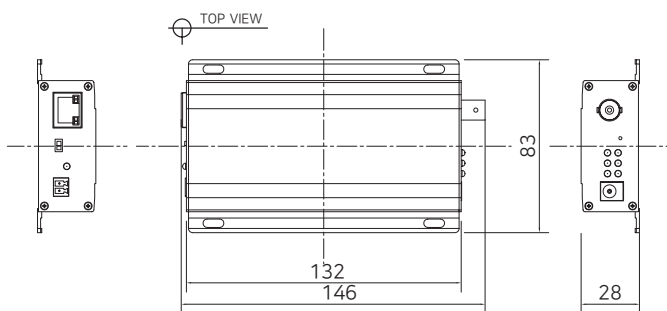
It is cost-effective and time saving solution to migrate existing analog system to IP based system since ECP-2701 supports easy installation utilizing the existing CCTV cable (Coax, UTP, 2wire)

With long distance transmission feature, the device makes to overcome 100 meters distance limitation easily and reduces the construction cost significantly compared with fiber optic configuration.

▲ Features

- Ethernet over coax (UTP, 2-Wire) communication following IEEE1901 Standard
- Data + Power over Coax (or UTP, 2-wire)
- Data distance up to 2.4Km
- PoE distance up to 1.2Km
- Max. 270Mbps Bandwidth
- 10/100/1000 Full Duplex
- 128bit AES network encryption
- Supports Multi-connection (Daisy chain, Ring, Star, etc.)
- PoE, PoE+, Extra PoE (Max. 60W output)
- Quality LED (Data & Power)
- Plug & Play
- 12VDC output (for Non-PoE Camera)

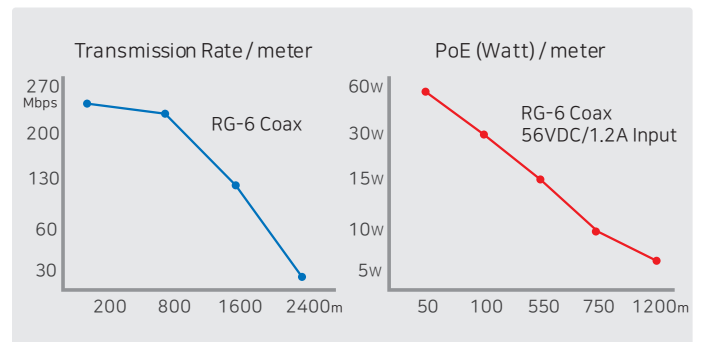
▲ Dimension



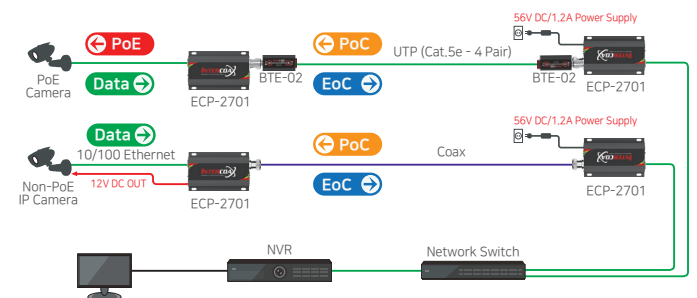
▲ Specification

Model		ECP-2701:1 Port Transceiver
Interface	Coax	1 x 75Ω BNC (Female) - Ethernet over Coax (B-LinX)
	Ethernet	1 x RJ45 - 10/100/1000 Base-T with Auto-detect MDIX
Transmission Rate		270Mbps Full Duplex (PHY: 500Mbps)
Transmission Distance	Ethernet	up to 2.4Km(RG-6)
	PoE (PoC)	up to 1.2Km (RG-6 / 7W camera)
LED Indication	Ethernet	1 x Data(Green) / 1 x PoE(Yellow)
	EoC	1 x BNC Join(Green)
	Power	1 x PWR(Blue)
	Link Quality	1 x Good(Green) / 1 x Bad(Red)
	Power Quality	1 x Good(Green) : 40V~57V / 1 x Bad(Red) : 40V Under
	12VDC out	1 x 12V DC OUT(Green)
Encryption		128-bit AES
Power	Input	B-Linx or DC12V~ 57V
	PoE Output	Support PoE (15W), PoE+ (30W), Extra PoE up to 60W
	DC Output	DC12V / 2A
Mechanical	Dimension	132(L) x 83(W) x 28(H)mm
	Weight	198g
Environment	Operating Temp	-20 ~ 60°C
	Storage Temp	-30 ~ 80°C
	Relative Humidity	10% ~ 90%
Compliance	Certification	FCC, CE, KC
	Surge Protection	IEC 61000-4-5 4kV(1.2 / 50us), 2kA(8 / 20us)
Optional Accessories		56VDC / 1.2A External Power Supply

▲ Performance chart



▲ Connection Diagram



- ▶ Transmission distance may vary depending on the type and quality of cable, use of power and environmental condition.
- ▶ Distance is based on RG-6 coax cable and 7 Watt IP Camera.